



TECHNICAL DATA

4" (DN100) MODEL F DELUGE VALVE STAINLESS STEEL HORIZONTAL TRIM CHART

The Viking Corporation, 210 N Industrial Park Drive, Hastings MI 49058

Telephone: 269-945-9501 Technical Services: 877-384-5464 Fax: 269-818-1680 Email: techsvcs@vikingcorp.com

Visit the Viking website for the latest edition of this technical data page: www.vikinggroupinc.com

Order Deluge Valve Separately

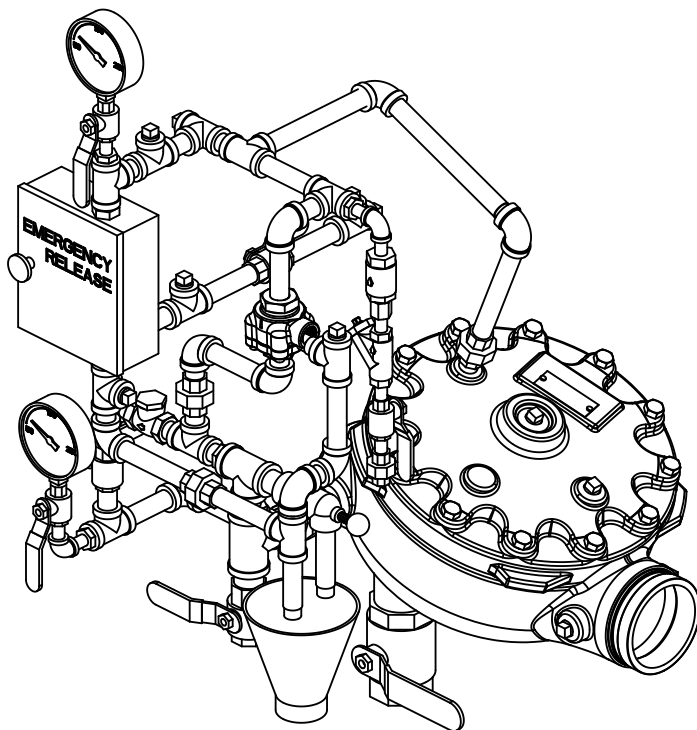


Figure 1

This Trim Chart is for use with
the following Viking Trim Sets

Valve Size	Stainless Steel Trim Part No.
4" (DN100)	14653

Notes: For use with Trim Charts on Page 2

General Notes:

- Valve must be trimmed as shown. Any deviation from trim size or arrangement may affect the proper operation of the valve.
- Dimensions in parentheses are millimeter and may be approximations.

Note 1: Release System Connection

Viking Deluge and Flow Control Valves are compatible with hydraulic, pneumatic, and electric release systems. A Pneumatic Actuator is required on all Viking Deluge Valves and Flow Control Valves equipped with Pneumatic Release Systems.

Note 2: Alarm Connections

Connect alarm line piping to 3/4" (20 mm) NPT outlet. When using a Water Motor Alarm, a strainer is required. 1/2" (15 mm) NPT outlet is for electric Alarm Pressure Switch.

Note 3: Optional non-interruptible connection for Alarm Pressure Switch to activate electric alarm panel

After the Deluge Valve trips, this location cannot be shut off. Alarms may operate until the outlet chamber of the deluge valve is de-pressurized below the set point of the Alarm Pressure Switch.

Note 4: Viking Drain Check Valve is manufactured with a 0.067" (1.7 mm) orifice to allow alarm line to drain.

DO NOT substitute. Check label for proper orientation.

Note 5: Inlet side of PORV is connected to the top chamber of the deluge valve.

Inlet of PORV should be facing up. Outlet goes to open drain.



TECHNICAL DATA

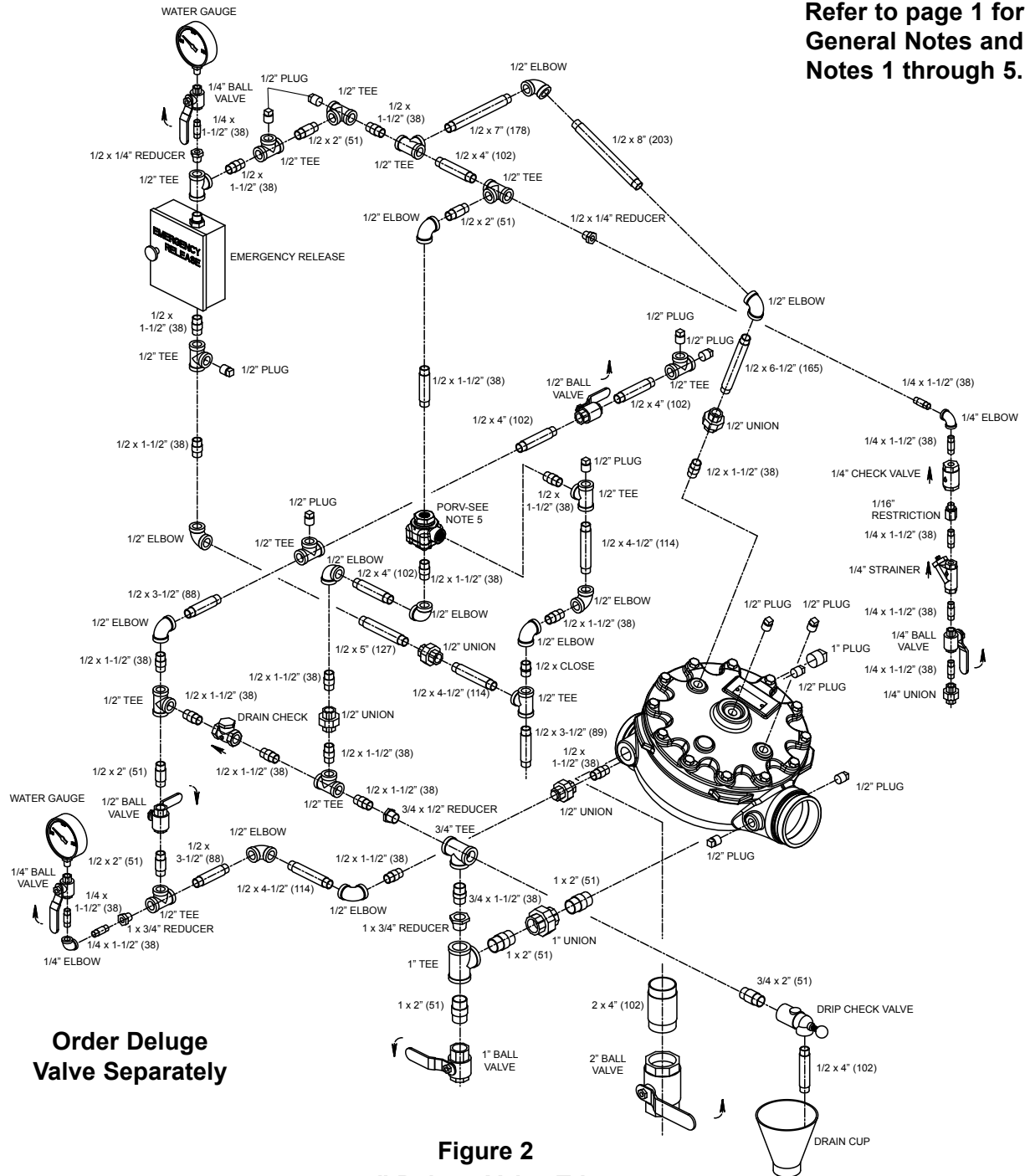
**4" (DN100)
MODEL F DELUGE VALVE
STAINLESS STEEL
HORIZONTAL TRIM CHART**

The Viking Corporation, 210 N Industrial Park Drive, Hastings MI 49058

Telephone: 269-945-9501 Technical Services: 877-384-5464 Fax: 269-818-1680 Email: techsvcs@vikingcorp.com

Visit the Viking website for the latest edition of this technical data page: www.vikinggroupinc.com

Refer to page 1 for
General Notes and
Notes 1 through 5.



**Order Deluge
Valve Separately**

**Figure 2
4" Deluge Valve Trim**



TECHNICAL DATA

4" (DN100)
MODEL F DELUGE VALVE
STAINLESS STEEL
HORIZONTAL TRIM CHART

The Viking Corporation, 210 N Industrial Park Drive, Hastings MI 49058
Telephone: 269-945-9501 Technical Services: 877-384-5464 Fax: 269-818-1680 Email: techsvcs@vikingcorp.com
Visit the Viking website for the latest edition of this technical data page: www.vikinggroupinc.com

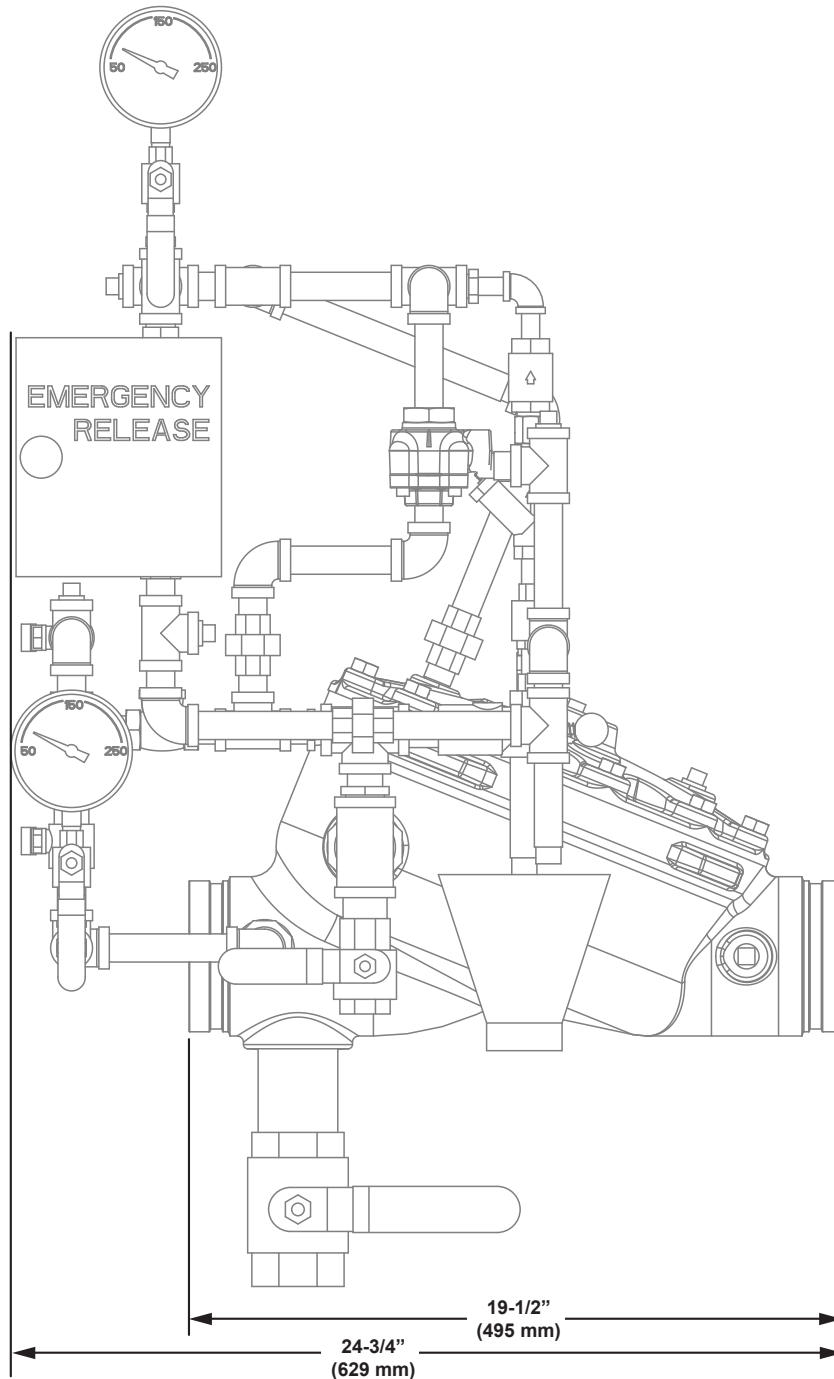


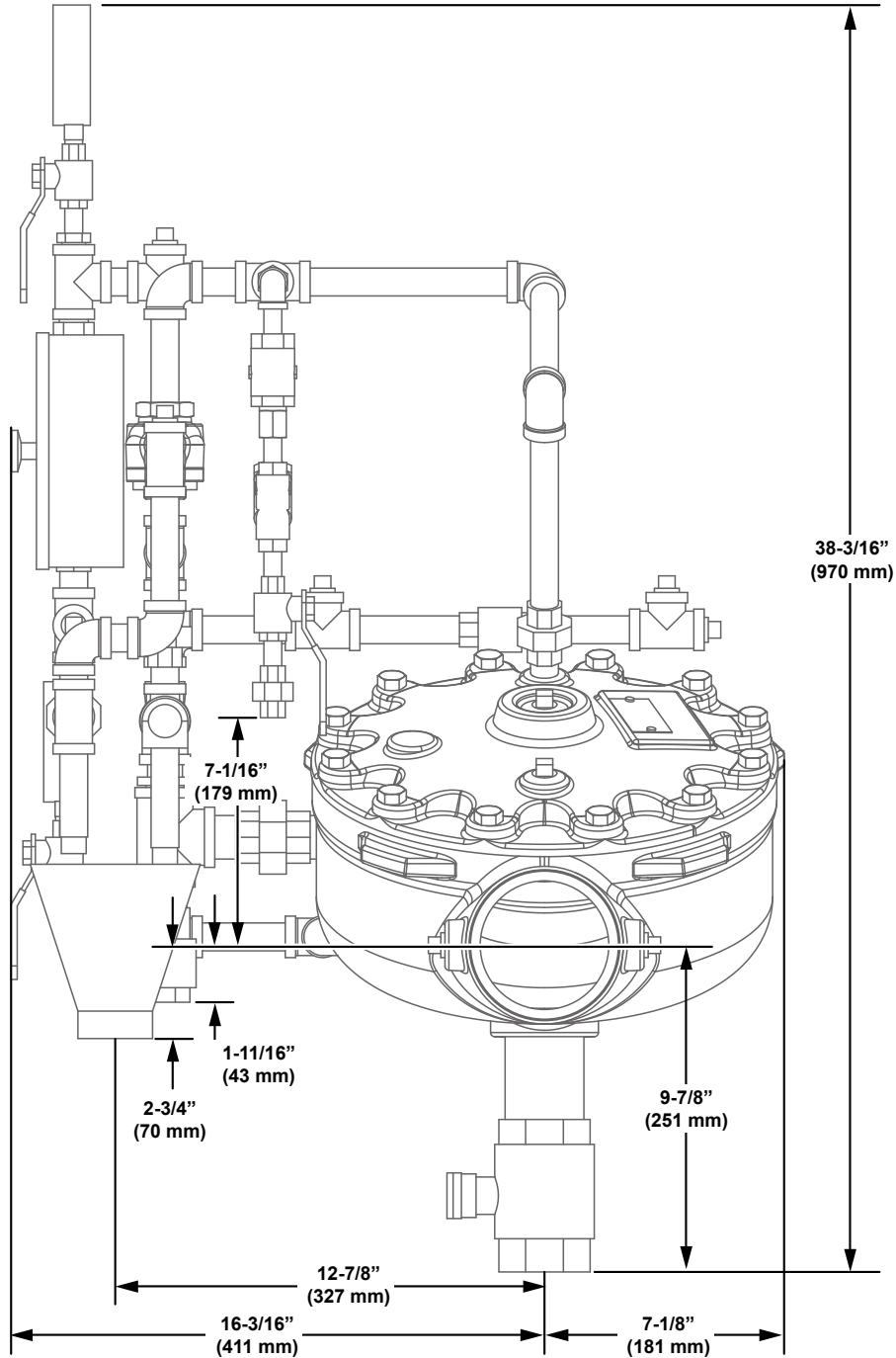
Figure 3a:
Installation Dimensions



TECHNICAL DATA

**4" (DN100)
MODEL F DELUGE VALVE
STAINLESS STEEL
HORIZONTAL TRIM CHART**

The Viking Corporation, 210 N Industrial Park Drive, Hastings MI 49058
 Telephone: 269-945-9501 Technical Services: 877-384-5464 Fax: 269-818-1680 Email: techsvcs@vikingcorp.com
 Visit the Viking website for the latest edition of this technical data page: www.vikinggroupinc.com



**Figure 3b:
Installation Dimensions**